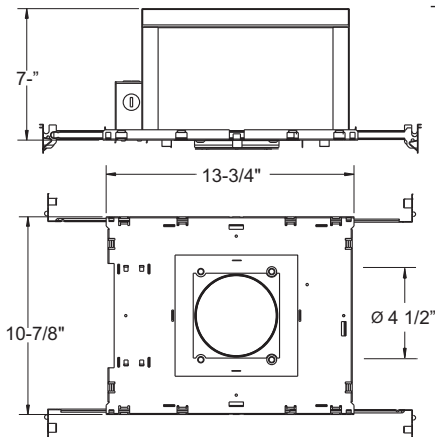
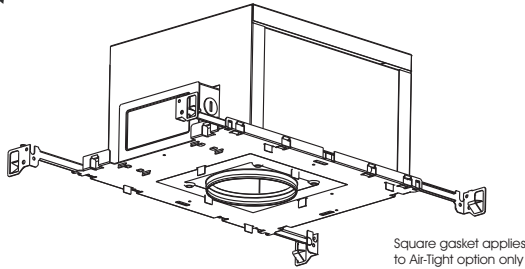




**2-010-I/C**  
**MR16 - I/C Housing**

**SPECIFICATIONS**



**Housing:**

- Rated IC. Approved for direct burial in insulation.
- Black powder coated 20ga. C.R.S. baseplate designed for bi-directional mounting of hanger bars.
- 16" Hanger bars supplied as standard
- Approved for all ceiling types including air-handling plenums.

**J-box:**

- 18ga galvanized steel
- 5 K.O. around j-box to allow for easy wire entry
- Approved for branch circuit wiring

**Thermal Protection:**

- All housings have overload protection for over lamping.

**Transformer:**

- Housings with Standard magnetic transformers are rated to MAX 50 Watts. Magnetic core and coil transformers are made with copper windings, Class H Rating (180°C): 120V, 277V, 347V Primary available.
- Optional Electronic transformer housings are available, MAX 37 Watts: 120V, 277V, Primary available only.
- Optional Q-TRAN toroidal magnetic transformer housings are available, MAX 50 Watts: 120V, 277V, Primary available only.
- Transformer is accessed through ceiling opening.

**Socket:**

- Low Voltage MR-16, 12V, (lamp by others).
- Porcelain Bi-Pin socket type GX5.3

**Air Tight (optional):**

- Performed in accordance with ASTM E283-91.
- The 2-010-I/C-A/T recessed housing meets the requirements of "having no more than 2.0 CFM air movement from the conditioned space to the ceiling cavity," which is stated in section 502.4 of the 1991 WSEC Code (Washington State Electrical Code).

**Guarantee:**

- 5 Year Warranty

**ORDER GUIDE**

HOUSING	TRANSFORMER	VOLTAGE	OPTION
2-010-I/C	Blank - Magnetic XMR	120	BPHI - (Black Painted Housing Interior)
2-010-I/C-A/T	E - Electronic XMR <sup>2</sup>	277	WPHI - (White Painted Housing Interior)
	Q-TRAN - Magnetic XMR	347 <sup>1</sup>	

Note:

- 1) Magnetic transformer only available
- 2) 37W MAX, with electronic transformer option

**Trims to be used with 2-010-I/C**

Aqua	Lensed Picolo
Aurora	Picolo
Deep Aurora	Pin Hole
Coral	Pivot
Conus	Siris
Demi	Star Lite
Eclipse	Split
Flare Wall Wash	Sunburst
Key Hole	Slice

See individual specification sheets for trim details

**DaSal Industries Ltd.**  
Unit #804-1515 Broadway Street  
Port Coquitlam, BC V3C 6M2  
Phone (604) 464-5644 Fax (604) 464-0888  
www.dasalindustries.com

Data and specifications subject to change without notice

Type	Project Name
	Order Number

