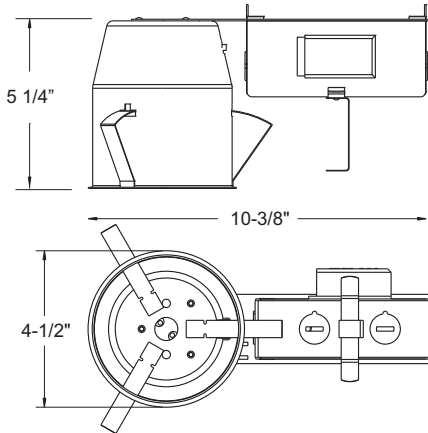
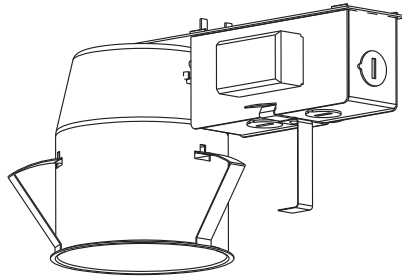




## 2-030-R-GX10-CMH

*GX10-CMH - Remodel Housing*

### SPECIFICATIONS



**Housing:**

- Rated Non I/C.
- Unique clip design, accommodates ceiling thicknesses upto 1 1/2". Housing Can is 18ga. spun aluminum with powder coat paint finish.
- Approved for all ceiling types including air-handling plenums.

**J-box:**

- 18ga galvanized steel
- 5 K.O. around j-box to allow for easy wire entry
- Approved for branch circuit wiring.

**Thermal Protection:**

- All Remodel housings have overload protection for over lamping.

**Ballast:**

- 20W / 39W Electronic HID integrally mounted in housing, available for 120V or 277V operation. Ballasts is accessed through ceiling opening.

**Socket:**

- Socket type GX10 (lamp by others)

**Maximum Rating:**

- Rated to 20W or 39W Maximum. (Ballast must be specified)

**Guarantee:**

- 5 Year Warranty

### ORDER GUIDE

HOUSING	WATTAGE	VOLTAGE	OPTION
2-030-R	20W GX10-CMH	120	BPHI - (Black Painted Housing Interior)
	39W GX10-CMH	277	WPHI - (White Painted Housing Interior)
		347'	

Note:  
1) Contact factory for availability.

*Trims to be used with  
2-030-R-GX10-CMH*

Aqua	Key Hole
Aurora	Lensed Picolo
Deep Aurora	Picolo
Conus	Pin Hole
Coral	Pivot
Demi	Siris
Eclipse	Slice
Flare Wall Wash	Star Lite

See individual specification sheets for trim details

**DaSal Industries Ltd.**  
Unit #804-1515 Broadway Street  
Port Coquitlam, BC V3C 6M2  
Phone (604) 464-5644 Fax (604) 464-0888  
www.dasalindustries.com

Data and specifications subject to change without notice

Type	Project Name
	Order Number

