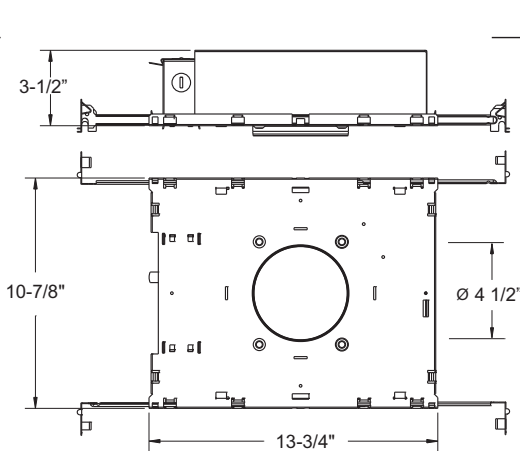
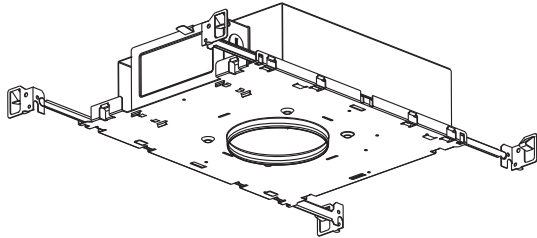




2-060-F
75W - MR16 Non I/C Housing

SPECIFICATIONS



Housing:

- Rated Non I/C.
- Unique design allowing installations of very shallow plenums as low as 4".
- Black powder coated 20ga. C.R.S. baseplate designed for bi-directional mounting of hanger bars.
- 16" Hanger bars supplied as standard
- Approved for all ceiling types including air-handling plenums.

J-box:

- 18ga galvanized steel
- 5 K.O. around j-box to allow for easy wire entry
- Approved for through wiring applications.

Thermal Protection:

- All housings have overload protection for over lamping.

Transformer:

- Housings with Standard magnetic transformers are rated to MAX 75 Watts. Magnetic core and coil transformers are made with copper windings, Class H Rating (180°C): 120V, 277V, 347V Primary available.
- Optional Electronic transformer housings are available, MAX 75 Watts: 120V, 277V, Primary available.
- Transformer is accessed through ceiling opening.

Socket:

- Low Voltage MR-16, 12V (lamp by others).
- Porcelain Bi-Pin socket type GX5.3

Guarantee:

- 5 Year Warranty

ORDER GUIDE

HOUSING	TRANSFORMER	VOLTAGE	OPTION
2-060-F	Blank - Magnetic XMR	120	BPHI - (Black Painted Housing Interior)
	E - Electronic XMR	277	WPHI - (White Painted Housing Interior)
		347 ¹	

Note:
1) Standard magnetic transformer only available.

Trims to be used with 2-060-F High Wattage Frame-In

Aqua	Lensed Picolo
Aurora	Picolo
Conus	Pin Hole
Coral	Pivot
Demi	Siris
Eclipse	Slice
Flare Wall Wash	Star Lite
Key Hole	Split
	Sunburst

See individual specification sheets for trim details

DaSal Industries Ltd.
Unit #804-1515 Broadway Street
Port Coquitlam, BC V3C 6M2
Phone (604) 464-5644 Fax (604) 464-0888
www.dasalindustries.com

Data and specifications subject to change without notice

Type	Project Name
	Order Number

