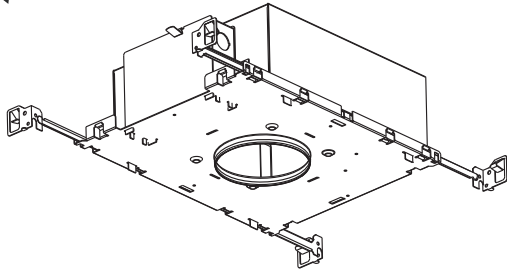




2-060-F-GX10-CMH

GX10-CMH Non I/C Housing

SPECIFICATIONS



Housing:

- Rated Non I/C.
- Unique design allows for installation in shallow plenums as low as 5"
- Black powder coated 20ga. C.R.S. baseplate designed for bi-directional mounting of hanger bars.
- 16" Hanger bars supplied as standard
- Approved for all ceiling types including air-handling plenums.

J-box:

- 18ga galvanized steel
- 5 K.O. around j-box to allow for easy wire entry
- Approved for through wiring applications.

Thermal Protection:

- All housings have overload protection for over lamping.

Ballast:

- 20W / 39W Electronic HID integrally mounted in housing, available for 120 or 277V operation. Ballasts is accessed through ceiling opening.

Socket:

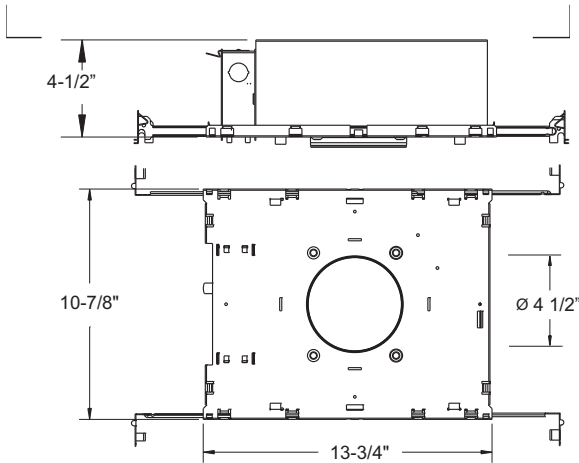
- Socket type GX10 (Ballast by others)

Maximum Rating:

- Rated to 20W or 39W Maximum. (Ballast must be specified)

Guarantee:

- 5 Year Warranty



ORDER GUIDE

HOUSING	WATTAGE	VOLTAGE	OPTION
2-060-F	20W GX10-CMH	120	BPHI - (Black Painted Housing Interior)
	39W GX10-CMH	277	WPHI - (White Painted Housing Interior)
		347 ¹	

Note:
1) Contact factory for availability.

*Trims to be used with
2-060-F-GX10-CMH*

Aqua	Key Hole
Aurora	Lensed Picolo
Deep Aurora	Picolo
Conus	Pin Hole
Coral	Pivot
Demi	Siris
Eclipse	Slice
Flare Wall Wash	Star Lite

See individual specification sheets for trim details

DaSal Industries Ltd.
Unit #804-1515 Broadway Street
Port Coquitlam, BC V3C 6M2
Phone (604) 464-5644 Fax (604) 464-0888
www.dasalindustries.com

Data and specifications subject to change without notice

Type	Project Name
	Order Number

