

2-100-C/H
MR16 - Round Concrete Pour Housing

SPECIFICATIONS

Housing:

- Concrete pour rated.
- 18ga. Galvanized steel construction c/w hinged lid to allow for installer to pre-pull wiring through conduit / junction box prior to pouring concrete.

J-box:

- Integral Galvanized steel J-Box
- 4 K.O. around j-box to allow for easy wire entry
- Approved for branch circuit wiring.

Extension Collar:

- Optional 2" extension collar available for drop ceiling construction (i.e. "Z" rail or drywall)

Transformer:

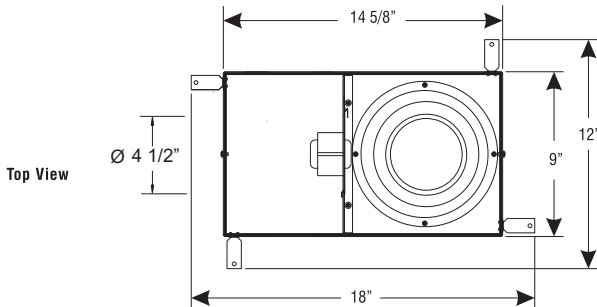
- Housings with Standard Magnetic Transformers are rated to MAX 75 Watts. Magnetic core and coil transformers are made with copper windings, Class H Rating (180°C): 120V, 277V, 347V Primary available.
- Optional Electronic transformer housings are available, MAX 75 Watts: 120V, 277V, Primary available.
- Transformer is accessed through ceiling opening and can be shipped separately upon request.

Socket:

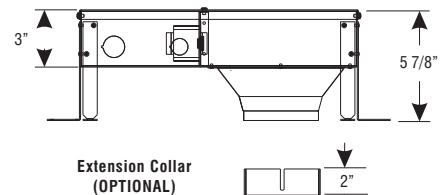
- Low Voltage MR-16, 12V, (lamp by others).
- Porcelain Bi-Pin socket type GX5.3

Guarantee:

- 5 Year Warranty



Side View



ORDER GUIDE

HOUSING	TRANSFORMER	VOLTAGE	OPTION
2-100-C/H	E - Electronic XMR	120	EC2-Q - 2" Extension Collar
	Blank - Magnetic XMR	277	
		347 ¹	

Note:
1) Standard magnetic transformer only available

Trims to be used with 2-100-C/H Round Concrete Pour

Aqua	Lensed Picolo
Aurora	Picolo
Deep Aurora	Pin Hole
Conus	Pivot
Coral	Siris
Demi	Slice
Eclipse	Split
Flare Wall Wash	Sunburst
Keyhole	Star Lite

See individual specification sheets for trim details

DaSal Industries Ltd.
Unit #804-1515 Broadway Street
Port Coquitlam, BC V3C 6M2
Phone (604) 464-5644 Fax (604) 464-0888
www.dasalindustries.com

Data and specifications subject to change without notice

Type	Project Name
	Order Number

