

## 2-100-C/H-GX10-CMH

*GX10-CMH - Round Concrete Pour Housing*

### SPECIFICATIONS

**Housing:**

- Concrete pour rated.
- 18ga. Galvanized steel construction c/w hinged lid to allow for installer to pre-pull wiring through conduit / junction box prior to pouring concrete.

**J-box:**

- Integral Galvanized steel J-Box
- 5 K.O. around j-box to allow for easy wire entry
- Approved for branch circuit wiring.

**Extension Collar:**

- Optional 2" extension collar available for drop ceiling construction (i.e. "Z" rail or drywall)

**Ballast:**

- 20W or 39W Electronic HID integrally mounted in housing
- Available for 120V or 277v operation

**Socket:**

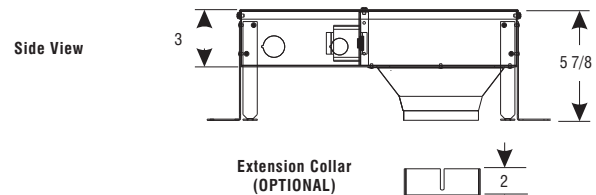
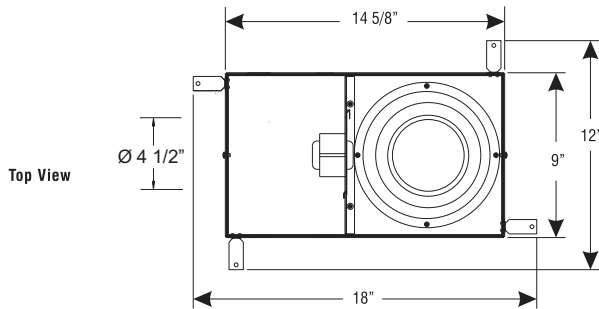
- Socket type GX10 (lamp by others)

**Maximum Rating:**

- Housing is rated to 20W or 39W Maximum (Ballast must be specified)

**Guarantee:**

- 5 Year Warranty



### ORDER GUIDE

HOUSING	WATTAGE	VOLTAGE	OPTION
2-100-C/H	20W GX10-CMH	120	EC2-Q - 2" Extension Collar
	39W GX10-CMH	277	
		347'	

Note:  
1) Contact factory for availability.

**Trims to be used with 2-100-C/H-GX10-CMH Round Concrete Pour**

Aqua	Lensed Pico
Aurora	Pico
Deep Aurora	Pin Hole
Coral	Pivot
Conus	Siris
Demi	Star Lite
Eclipse	Sunburst
Flare Wall Wash	Slice
Key Hole	

See individual specification sheets for trim details

**DaSal Industries Ltd.**  
 Unit #804-1515 Broadway Street  
 Port Coquitlam, BC V3C 6M2  
 Phone (604) 464-5644 Fax (604) 464-0888  
 www.dasalindustries.com

Data and specifications subject to change without notice

Type	Project Name
	Order Number

