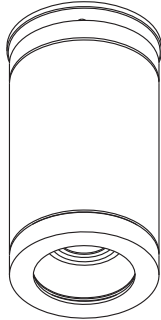


MAX 3 TITANIUM

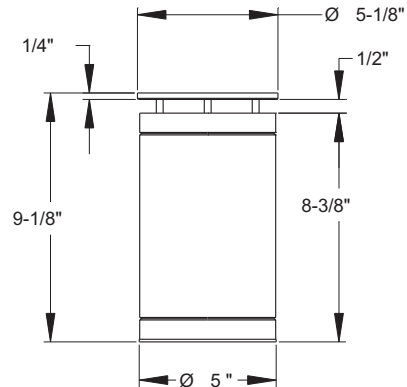
INDOOR (MR16 GX10-CMH LAMPS)



SPECIFICATIONS

- MAX 3 MR16 GX10-CMH Titanium is a surface mount architectural MH cylinder designed to incorporate a large selection of DaSal architectural trims.
- The Titanium cylinder collection is manufactured of 6061 extruded aluminum alloy.
- Rated for 20 or 39 watt MR16 GX10-CMH Metal Halide lamp.
- MAX 3 MR16 GX10-CMH Titanium is powered by electronic HID ballasts.
- Any trim selected are designed to use a wide range of specialty lenses.
- MAX 3 MR16 GX10-CMH is only available with a remote electronic Metal Halide Ballast that can be mounted up to 15 feet away.
- MAX 3 Titanium cylinder is damp location listed.
- 5 year warranty

Applications: any surface mount interior applications such as elevator lobbies, vestibules, soffits and entrances to commercial buildings.



ORDER GUIDE

SERIES	LAMP TYPE ¹	TRIM TYPE ²	VOLTAGE	FINISH
MAX3 Surface Mount	20W MR16 - GX10 CMH 39W MR16 - GX10 CMH	2-120 - Aurora	120	01 - White
		2-125 - Deep Aurora	277	04 - Black
		2-140 - Eclipse	347	05- Matte Silver
		2-150 - Siris		11 - Matte Nickel
		2-160 - Demi	CC- Custom	
		2-165 - Star Life		
		2-170 - Conus		
		2-180 - Pin Hole		
		2-182 - Pin Hole Wall Wash		
		2-185 - Pico		
		2-187 - Lensed Pico		
		2-190 - Key Hole		
		2-195 - Pivot		

Note:

- 1) Electronic HID Ballasts will be supplied in Weather tight Type 3 enclosure. Enclosure Dimensions 6" x 6" x 4". Maximum distance for remote mounting is 15 Feet. For further distances, please contact factory
- 2) Must use Trim specification sheets for specifying complete trim part numbers

DaSal Industries Ltd.
Unit #804-1515 Broadway Street
Port Coquitlam, BC V3C 6M2
Phone (604) 464-5644 Fax (604) 464-0888
www.dasalindustries.com

Data and specifications subject to change without notice

Type	Project Name
	Order Number

