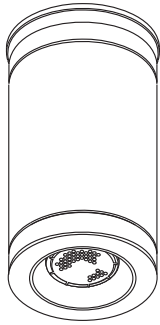


MAX 3 TITANIUM

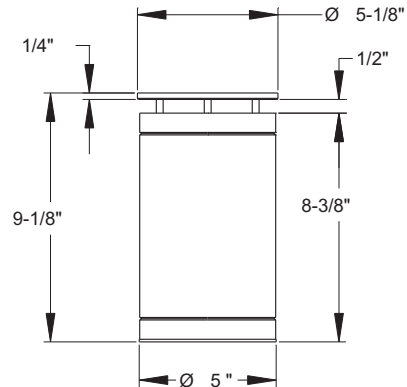
INDOOR (PAR20/PAR30 - CDMR-MH LAMPS)



SPECIFICATIONS

- MAX 3 PAR20/PAR30 CDMR-MH Titanium is a surface mount architectural Metal Halide cylinder.
- The Titanium cylinder collection is manufactured of 6061 extruded aluminum alloy.
- Rated for 20 and 39 watt PAR20 MH or 20, 39 and 70 watt PAR30 Metal Halide lamps.
- MAX 3 PAR20/PAR30 CDMR-MH Titanium is powered by electronic HID ballasts.
- MAX 3 PAR20/30 CDMR-MH is only available with a remote electronic Metal Halide Ballast that can be mounted up to 15 feet away.
- MAX 3 Titanium cylinder is damp location listed.
- 5 year warranty

Applications: any surface mount interior applications such as elevator lobbies, vestibules, soffits and entrances to commercial buildings.



ORDER GUIDE

| SERIES | LAMP TYPE | VOLTAGE | FINISH |
|----------------------|-------------------------------------|---------|-------------------|
| MAX3 | 39W PAR 20 CDMR - MH ^{2,3} | 120 | 01 - White |
| Surface Mount | 39W PAR 30 CDMR - MH ^{1,3} | 277 | 04 - Black |
| | 70W PAR 30 CDMR - MH ^{1,3} | 347 | 05- Matte Silver |
| | | | 11 - Matte Nickel |
| | | | CC- Custom |

Note:

- 1) No reflector used with PAR 30 lamp
- 2) Clear Specular reflector used with PAR 20 lamp. Call factory if different reflector is required.
- 3) Electronic Metal Halide Ballasts will be supplied in weather tight Type 3 enclosure
Ballast enclosure dimensions: 6" x 6" x 4"
Maximum distance for remote mounting is 15 feet (For greater distance, please contact factory).

Data and specifications subject to change without notice

| | |
|------|--------------|
| Type | Project Name |
| | Order Number |



DaSal Industries Ltd.
Unit #804-1515 Broadway Street
Port Coquitlam, BC V3C 6M2
Phone (604) 464-5644 Fax (604) 464-0888
www.dasalindustries.com