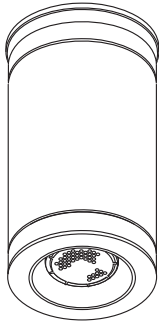


MAX 3 TITANIUM

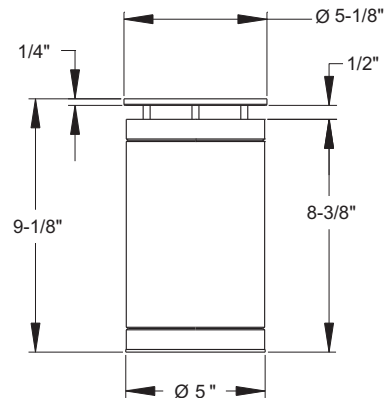
INDOOR (PAR20/PAR30 - HALOGEN LAMPS)



SPECIFICATIONS

- MAX 3 - Indoor PAR 20 / PAR30 Halogen
- MAX 3 PAR 20/PAR30 Halogen Titanium is a surface mount architectural cylinder.
- The Titanium cylinder collection is manufactured of 6061 extruded aluminum alloy.
- All hardware supplied is made of stainless steel. It is rated for 50Watt PAR20 or 75Watt PAR30 Halogen lamps.
- MAX 3 PAR 20 or PAR30 Halogen Titanium is fully dimmable.
- MAX 3 Titanium cylinder is damp location listed.
- 5 year warranty

Applications: any surface mount interior applications such as elevator lobbies, vestibules, soffits and entrances to commercial buildings. This product is ideal for dimming applications.



ORDER GUIDE

SERIES	LAMP TYPE	VOLTAGE	FINISH
MAX3	75W PAR 30 Halogen ¹	120	01 - White
Surface Mount	50W PAR 20 Halogen ² (Incandescent)		04 - Black 05- Matte Silver 11 - Matte Nickel CC- Custom

Note:

- 1) No reflector used with PAR 30 lamp
- 2) Clear Specular reflector used with PAR 20 lamp. Call factory if different reflector is required.

DaSal Industries Ltd.
Unit #804-1515 Broadway Street
Port Coquitlam, BC V3C 6M2
Phone (604) 464-5644 Fax (604) 464-0888
www.dasalindustries.com

Data and specifications subject to change without notice

Type	Project Name
	Order Number

