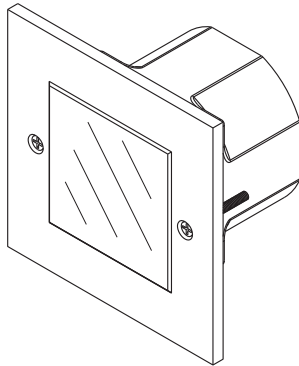


Stainless Steel WALL LIGHT

5 Watts LED

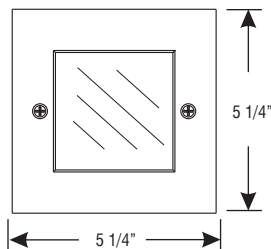


SPECIFICATIONS

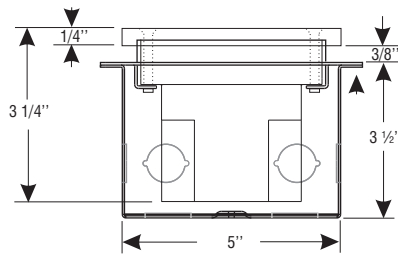
The Wall Light S/S - LED is a recessed architectural outdoor luminaire. It can be mounted in insulated or non-insulated walls and is also approved for concrete pour wall installations.

- Engineered with the latest generation LED technology.
- 320 lumens while consuming fewer than 4.5 watts of energy at 3000K LED (71Lm/Watt).
- Other color temperatures are available, please contact factory.
- Approved for wet location applications.
- Stainless steel face plate (316 grade stainless), mounted to a die-cast aluminum body.
- Stainless steel hardware is included.
- Frosted acrylic lens is standard.
- Housing 3 1/2" deep and uses an integral LED Driver.
- The housing is made of 20ga. C.R.S. with black powder coat paint finish.

Applications for the Wall Light S/S-LED can include; showers, saunas, steam rooms, step lights, or where pathway lighting may be required

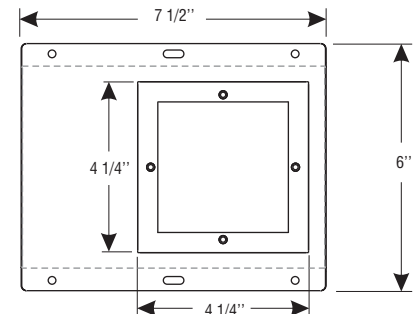


Depth = 3 1/4"



Side View

Insulated / Non I/C Housing
or Concrete Wall Housing
Plan View



ORDER GUIDE

HOUSING	TYPE	FINISH	LED COLOR TEMPERATURE	VOLTAGE
2-075-LED-W/L	2-400 LED S/S Wall Light	38 - Stainless Steel	3000°K'	120 V

Note:

- 1) Contact factory for other color temperatures

Data and specifications subject to change without notice

Type	Project Name
	Order Number

DaSal Industries Ltd.
Unit #804-1515 Broadway Street
Port Coquitlam, BC V3C 6M2
Phone (604) 464-5644 Fax (604) 464-0888
www.dasalindustries.com

