



Stainless Steel WALL LIGHT

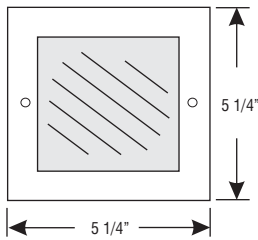
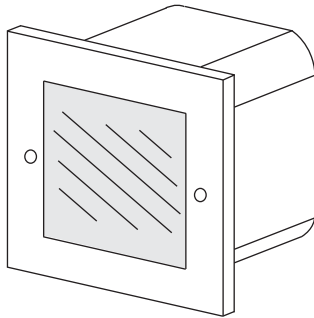
Outdoor (G4 / GY 6.35 Bi - Pin Halogen or T3 Xenon)

SPECIFICATIONS

The Wall Light is a recessed architectural luminaire that can be mounted in insulated or non-insulated walls and is also approved for concrete pour wall installations.

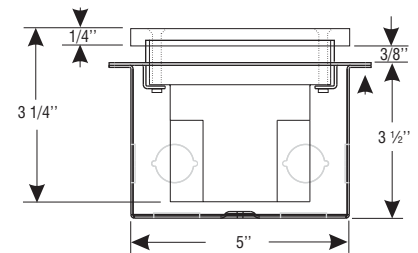
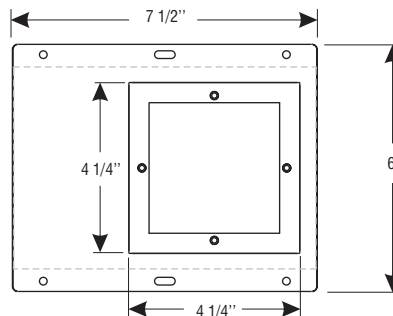
- Rated up to 20 Watts Max. using halogen or xenon lamps.
- Wet location application
- Stainless steel face plate (316 grade stainless)
- Die-cast aluminum fixture body
- Tempered frosted lens is standard
- 2-075-W/L housing uses an integral electronic transformer
- The housing is made of 20ga. C.R.S. with powder coat paint; depth of 3 1/2"

Applications: showers, step lights, wall markers, or where pathway lighting may be required.



Depth = 3 1/4"

Insulated / Non I/C
Housing
or
Concrete Wall
Housing
Plan View



Side View

ORDER GUIDE

HOUSING	VOLTAGE	TRIM	FINISH
Trim Only (Max 10 Watts)	120	2-400 Wall Light	38 - Stainless Steel
2-075-W/L ^{1,2,3} (Housing)	277		

Note:

- 1) When using housing for non-insulated walls, approved for 20W with xenon and halogen lamps
- 2) When using housing for insulated walls, approved for 10W max with halogen lamps, and 20W with xenon Lamps
- 3) When using housing in concrete walls, approved for 20W with xenon and halogen lamps

DaSal Industries Ltd.
Unit #804-1515 Broadway Street
Port Coquillam, BC V3C 6M2
Phone (604) 464-5644 Fax (604) 464-0888
www.dasalindustries.com

Data and specifications subject to change without notice

Type	Project Name
	Order Number

