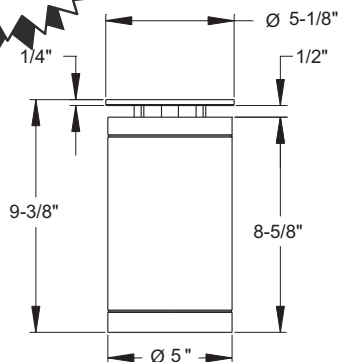
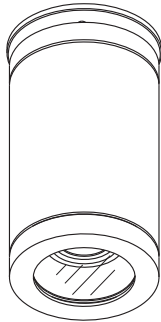


WL-MAX 3 TITANIUM

OUTDOOR (MR16 GX10-CMH LAMPS)



SPECIFICATIONS

- WET-MAX 3 MR16 GX10-CMH Titanium is a surface mount architectural MH cylinder designed to a large selection of reflectors from the DaSal Aurora architectural collection.
- WET-MAX 3 Titanium cylinder is wet location listed.
- The WET-MAX 3 is available with a clear tempered glass lens and is designed to add additional beam shaping lenses (call factory for specialty lenses). The Titanium cylinder collection is manufactured of 6061 extruded aluminum alloy.
- All hardware supplied is made of stainless steel.
- Rated for 20 or 39 watt MR16 GX10-CMH Metal Halide lamp.
- WET-MAX 3 MR16 GX10-CMH Titanium is powered by electronic HID ballasts.
- WET-MAX 3 MR16 GX10-CMH is only available with a remote electronic Metal Halide Ballast that can be mounted up to 15 feet away.
- Any trim selected are designed to use a wide range of specialty lenses.
- 5 year warranty

Applications: Use for exterior applications such as soffits, transit areas and entrances to commercial buildings.

ORDER GUIDE

SERIES	LAMP TYPE ¹	TRIM TYPE ²	VOLTAGE	FINISH
WL-MAX3	20W MR16 - GX10 CMH	2-120-XX - Aurora Reflector	120	01 - White
Surface Mount	39W MR16 - GX10 CMH	2-125-XX - Deep Aurora Reflector	277	04 - Black
			347	05- Matte Silver
				11 - Matte Nickel
				CC- Custom

Note:

- 1) Electronic Metal Halide Ballasts will be supplied in weather tight Type 3 enclosure
Ballast enclosure dimensions: 6" x 6" x 4"
Maximum distance for remote mounting is 15 feet (For greater distance, please contact factory).
- 2) Use Aurora Trim specification sheets for specifying complete trim part numbers.
Standard reflector supplied is a Satin Silver Reflector (SA-S). Please specify any preferred reflector.

DaSal Industries Ltd.
Unit #804-1515 Broadway Street
Port Coquitlam, BC V3C 6M2
Phone (604) 464-5644 Fax (604) 464-0888
www.dasalindustries.com

Data and specifications subject to change without notice

Type	Project Name
	Order Number

