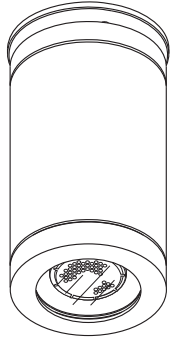


WL-MAX 3 TITANIUM

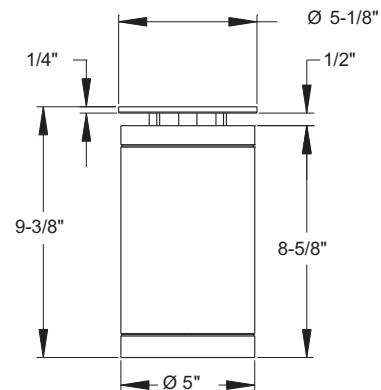
OUTDOOR (PAR20/PAR30 CDMR-MH LAMPS)



SPECIFICATIONS

- WET-MAX 3 PAR20/PAR30 CDMR-MH Titanium is a surface mount architectural Metal Halide cylinder.
- WET-MAX 3 Titanium cylinder is wet location listed.
- The WET-MAX 3 is available with a clear tempered glass lens.
- The Titanium cylinder collection is manufactured of 6061 extruded aluminum alloy.
- All hardware supplied is made of stainless steel.
- Rated for 20 and 39 watt PAR20 MH or 20, 39 and 70 watt PAR30 Metal Halide lamps.
- WET-MAX 3 PAR20/PAR30 CDMR-MH Titanium is powered by electronic HID ballasts.
- WET-MAX 3 PAR20/PAR30 CDMR-MH is only available with a remote electronic Metal Halide Ballast that can be mounted up to 15 feet away.
- 5 year warranty

Applications: Use for exterior applications such as soffits, transit areas and entrances to commercial buildings.



ORDER GUIDE

SERIES	LAMP TYPE	VOLTAGE	FINISH
WL-MAX3	39W PAR 20 CDMR - MH ^{2,3}	120	01 - White
Surface Mount	39W PAR 30 CDMR - MH ^{1,3}	277	04 - Black
	70W PAR 30 CDMR - MH ^{1,3}	347	05- Matte Silver
			11 - Matte Nickel
			CC- Custom

Note:

- 1) No reflector used with PAR 30 lamp
- 2) Clear Specular reflector used with PAR 20 lamp. Call factory if different reflector is required.
- 3) Electronic Metal Halide Ballasts will be supplied in weather tight Type 3 enclosure
Ballast enclosure dimensions: 6" x 6" x 4"
Maximum distance for remote mounting is 15 feet (For greater distance, please contact factory).

DaSal Industries Ltd.
Unit #804-1515 Broadway Street
Port Coquitlam, BC V3C 6M2
Phone (604) 464-5644 Fax (604) 464-0888
www.dasalindustries.com

Data and specifications subject to change without notice

Type	Project Name
	Order Number

