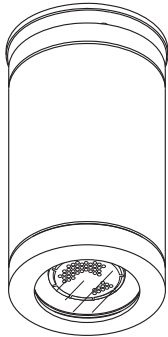


WL-MAX 3 TITANIUM

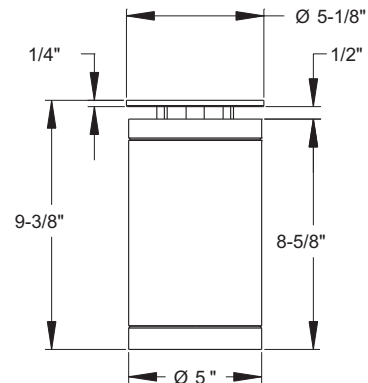
OUTDOOR (PAR20/PAR30 - HALOGEN LAMPS)



SPECIFICATIONS

- WET-MAX 3 PAR 20/PAR30 Halogen Titanium is a surface mount architectural cylinder.
- WET-MAX 3 Titanium cylinder is wet location listed.
- The WET-MAX 3 is available with a clear tempered glass lens.
- The Titanium cylinder collection is manufactured of 6061 extruded aluminum alloy.
- All hardware supplied is made of stainless steel.
- Rated for 50Watt PAR20 or 75Watt PAR30 Halogen lamps.
- WET-MAX 3 PAR 20 or PAR30 Halogen Titanium is fully dimmable.
- 5 year warranty

Applications: Use for exterior applications such as soffits, transit areas and entrances to commercial buildings. This product is ideal for dimming applications.



ORDER GUIDE

SERIES	LAMP TYPE	VOLTAGE	FINISH
WL-MAX3	75W PAR 30 Halogen ¹	120	01 - White
Surface Mount	50W PAR 20 Halogen ² (Incandescent)		04 - Black 05- Matte Silver 11 - Matte Nickel CC- Custom

Note:

- 1) No reflector used with PAR 30 lamp
- 2) Clear Specular reflector used with PAR 20 lamp. Call factory if different reflector is required.

DaSal Industries Ltd.
Unit #804-1515 Broadway Street
Port Coquitlam, BC V3C 6M2
Phone (604) 464-5644 Fax (604) 464-0888
www.dasalindustries.com

Data and specifications subject to change without notice

Type	Project Name
	Order Number

